

Simple Installation Guide

Hitachi Deskstar

3.5 inch ATA/IDE

This document provides instructions to install your Hitachi Deskstar drive in a system. Additional information can be found at www.HitachiGST.com/support

Getting Started

IMPORTANT! Back up all data before beginning installation.

Handling Precautions

Caution: Poor handling, physical impact or electrical shock causes most premature hard disk drive failures.

- Set the drive down gently to prevent damage from impact or vibration.
- Do not open the ESD bag containing the drive until needed.
- Handle the drive carefully by the edges. Do not touch the exposed printed circuit board or any electronic components.
- Do not press on the top or bottom of the drive.
- Do not cover the drive's breather hole.

Before handling the hard disk drive, **discharge any static electricity** from yourself and your clothing. With one hand, touch an unpainted, metal surface on your computer chassis, then touch the ESD bag with the other hand. Remain in contact with the chassis and the bag for a minimum of two seconds.

Tools for Installation:

You may need one or more of the following items to install the Hitachi Deskstar drive:

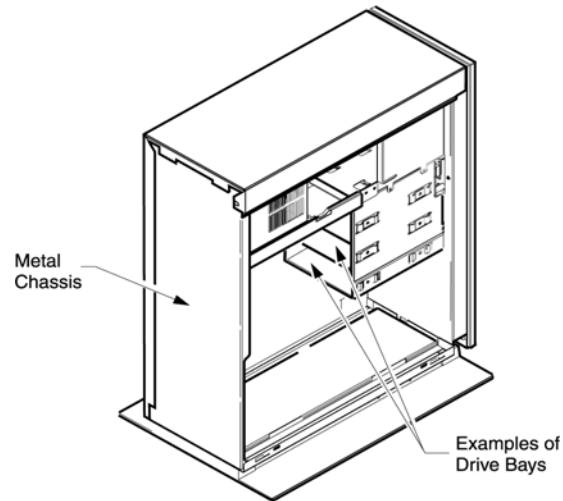
- A Phillips head screw driver
- A flat-blade screw driver
- A small needle-nose pliers
- Your system manual
- Operating system (OS) startup CD or diskette

Begin Hardware Install

1. Turn off your computer system.
2. Unplug your system.
3. Discharge static electricity (see above).
4. Remove the cover as specified by your system manual.
5. Find the mounting bracket inside the system where you will install the Hitachi Deskstar.

6. If you are replacing a hard drive, remove the drive from the system.

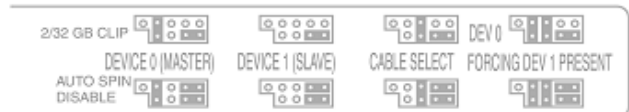
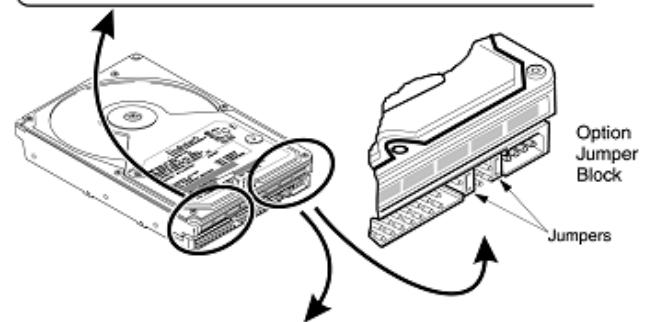
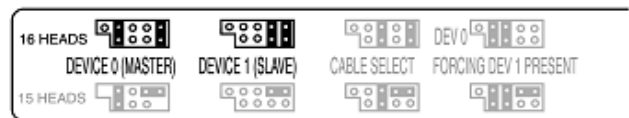
Note: There are many variations of tower and desktop designs. Below is an example of a typical tower design.



Configure the Jumper settings

1. Remove the drive from the ESD bag.
2. Record the model (HDS.....), part number (P/N) and serial number (S/N).

Common Jumper Settings

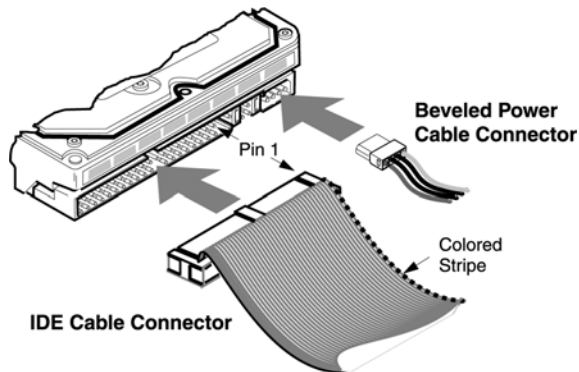


3. If the new Hitachi Deskstar drive will be the only hard disk drive on a cable in your system, jumper the drive to Device 0 (MASTER). If you are adding the Hitachi drive to a cable with another hard drive, jumper the Hitachi drive as Device 1 (SLAVE).

Attach the Cables

Note: With some system cases, it may be easier to attach the cables after the drive is mounted in the system.

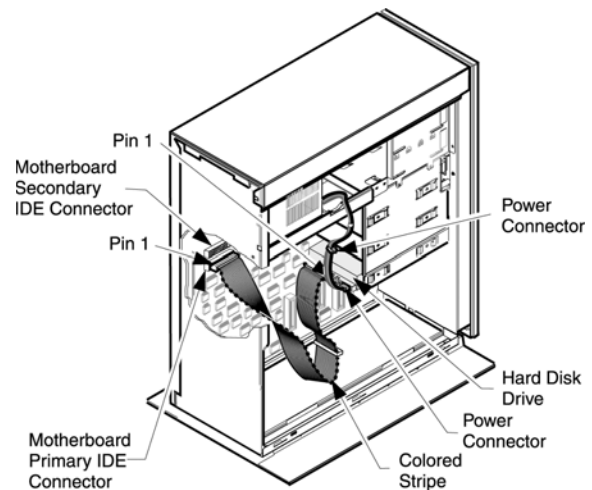
1. Attach the blue connector of the ATA IDE cable to the IDE connector marked "Primary" or "0" on the motherboard or controller card in your system.
2. Attach a power cable to the hard disk drive.
3. If the Hitachi Deskstar is the Device 0 (MASTER) drive, attach the BLACK connector of the ATA/IDE cable to the hard disk drive. If the Deskstar is the Device 1 (SLAVE) drive, attach the GRAY connector of the ATA/IDE cable to the hard disk drive.



Mount the Drive

There are many variations of system cases. Hitachi Deskstar drive can be mounted with any side or end vertical or horizontal. Do not mount the drive in a tilted position.

1. Place the drive in an empty drive bay, and line up the 4-screw holes. Make sure to use all 4 screws when mounting the drive, as a loose drive may vibrate when in use and result in drive failure. Consult your system manual for additional information.
2. Check all internal cable connections to ensure they are securely seated.
3. Replace the system cover.
4. Check all external cable connections to ensure they are securely seated.
5. Plug in your computer.



Begin the Software Installation

1. Confirm the drive is recognized in the System BIOS, or, if adding the drive as a Slave, confirm it is recognized by the Operating System. Key strokes sequences for accessing your BIOS are often displayed at boot, or can be found in your computer system manual.
2. Locate drive settings in your BIOS. Verify correct detection of drive capacity. If your BIOS does not detect the Hitachi Deskstar, shut down your system and review the installation procedure. If your drive is still not detected in BIOS, contact the Hitachi Global Storage Technologies Support Center:

www.HitachiGST.com/support

Install the Operating System

Once the drive is recognized correctly by the BIOS, it is ready to be partitioned, formatted and the Operating System installed. Please consult your Operating System manual for information on how to install the Operating System or see our Partitioning and Formatting Guide at:

www.HitachiGST.com/support

© Copyright Hitachi Global Storage Technologies

Hitachi Global Storage Technologies
5600 Cottle Road
San Jose, CA 95193
Produced in the United States

5/04

All rights reserved Deskstar™ is a trademark of Hitachi Global Storage Technologies.

Microsoft, Windows XP, and Windows are trademarks of Microsoft Corporation in the United States, other countries, or both.

Other product names are trademarks or registered trademarks of their respective companies.

References in this publication to Hitachi Global Storage Technologies products, programs or services do not imply that Hitachi Global Storage Technologies intends to make these available in all countries in which Hitachi Global Storage Technologies operates.

Product information is provided for information purposes only and does not constitute a warranty.

Information is true as of the date of publication and is subject to change. Actual results may vary.

This publication is for general guidance only. Photographs may show design models.

21 May 2004

